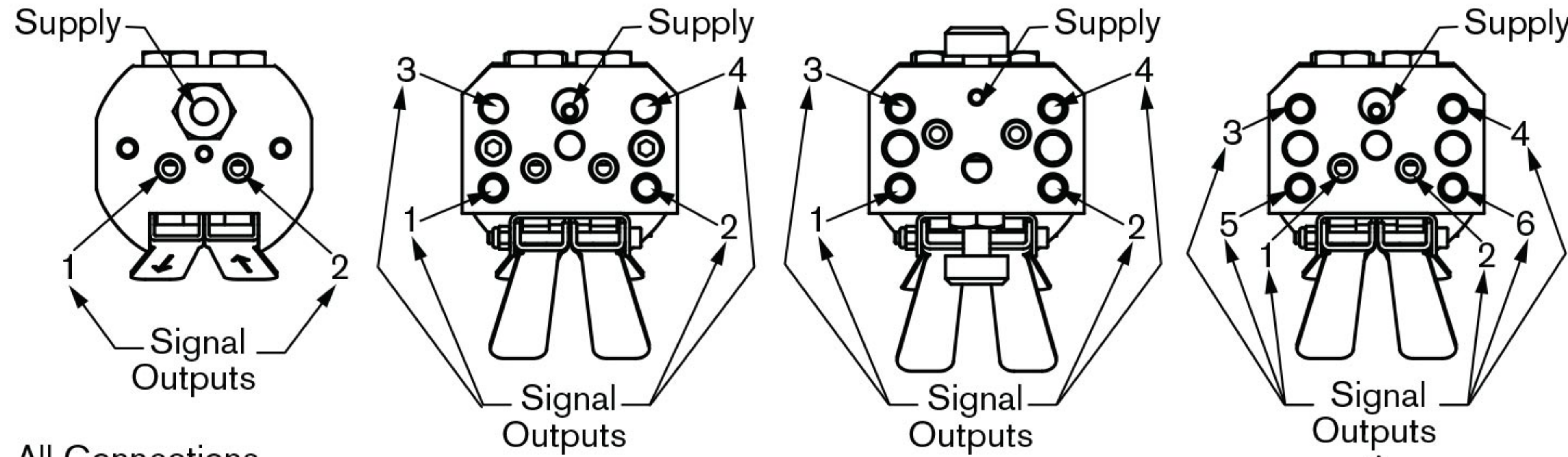


REMOTE CONTROLLERS

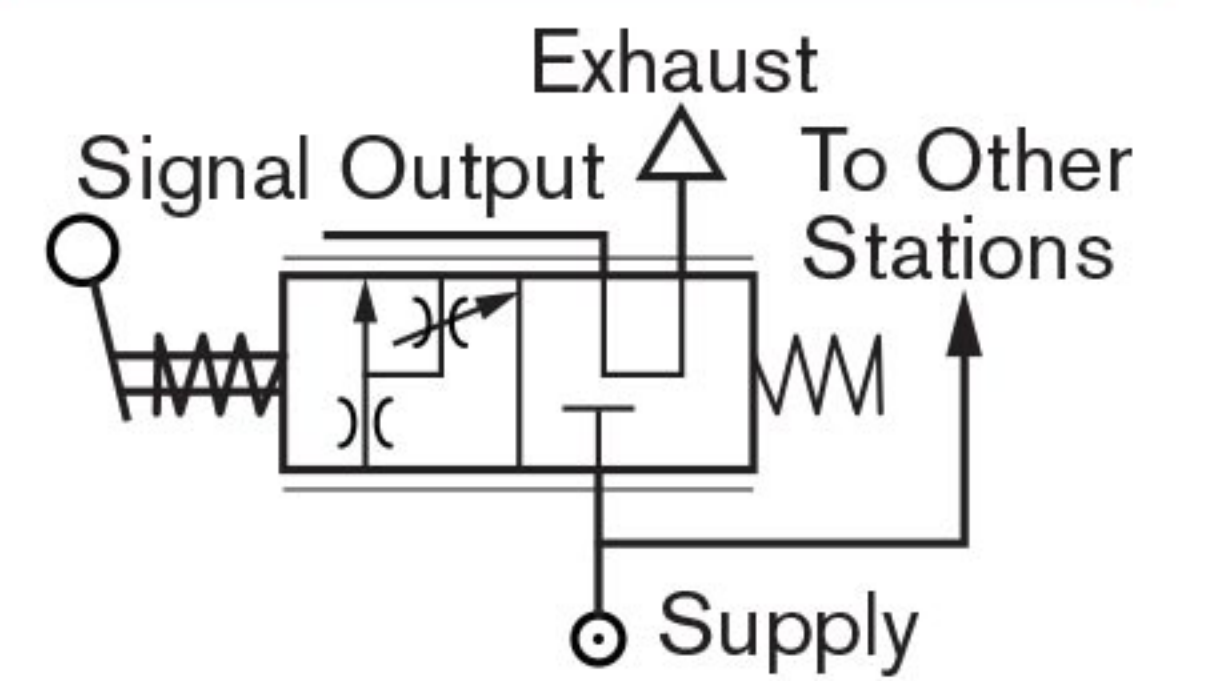
PENDANT CONTROLS (PC2L, 4L, OR 6L)

The PC2L, 4 and 6 remote controllers are designed specifically for use with the RCV modules. They provide the correct range of pilot pressure required to operate the RCV units, and give excellent control of motor speed. The PC2L is used to control one (hoist) motor; the PC4L can control two motors independently (say hoist and long travel); the PC6L can control three motors independently (hoist, long travel, traverse). Motors of different sizes can be controlled from the same unit.

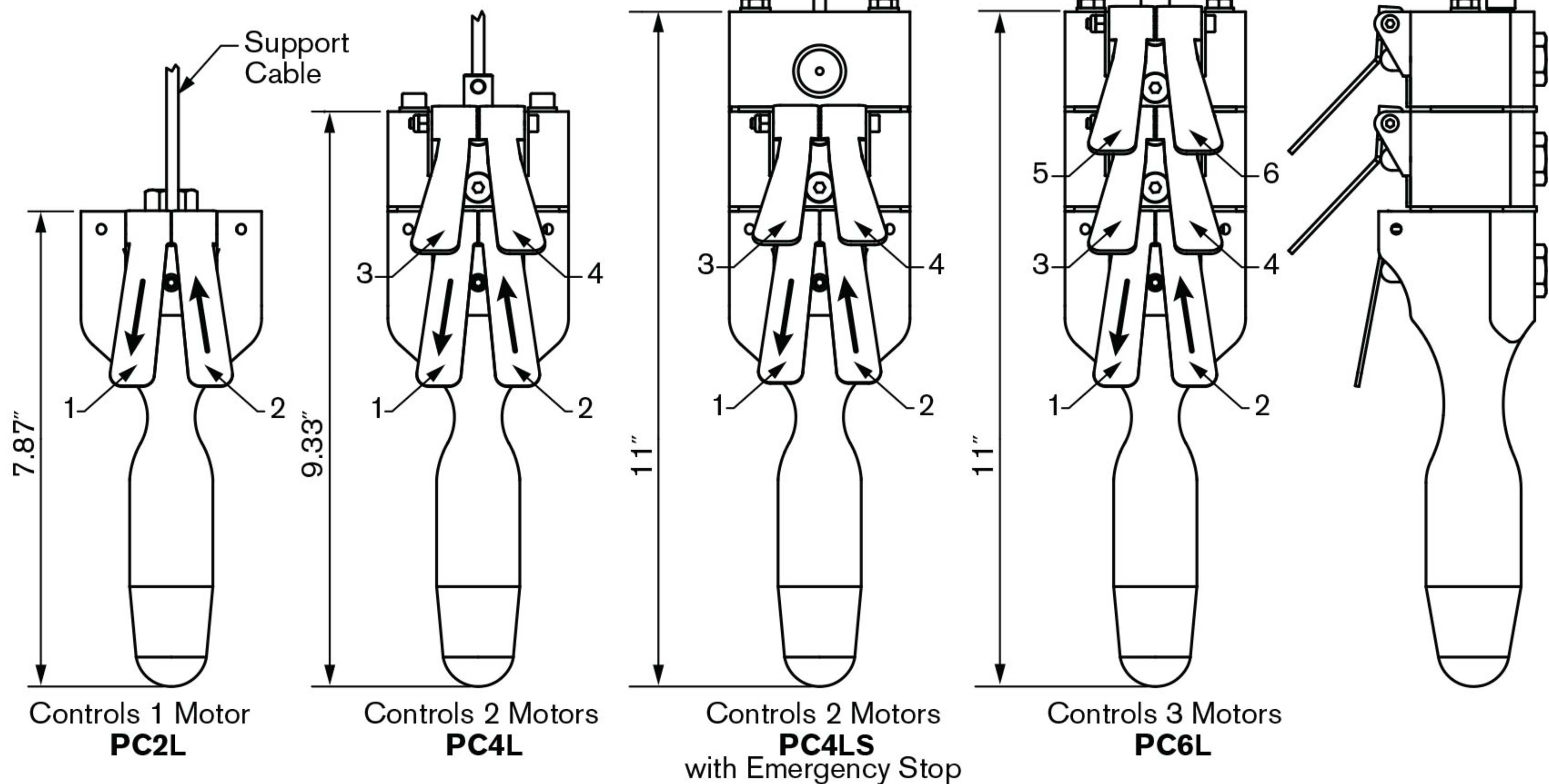
Control line lengths of 36 m / 120 ft. give excellent response. For distance in excess of this contact factory. The control lines are small bore eliminating the need for large capacity air supply lines between motor and controller. If required, supply pressure can be taken from the tapping on the RCV. MARINE VERSION AVAILABLE. PC2M, PC4M OR PC6M.



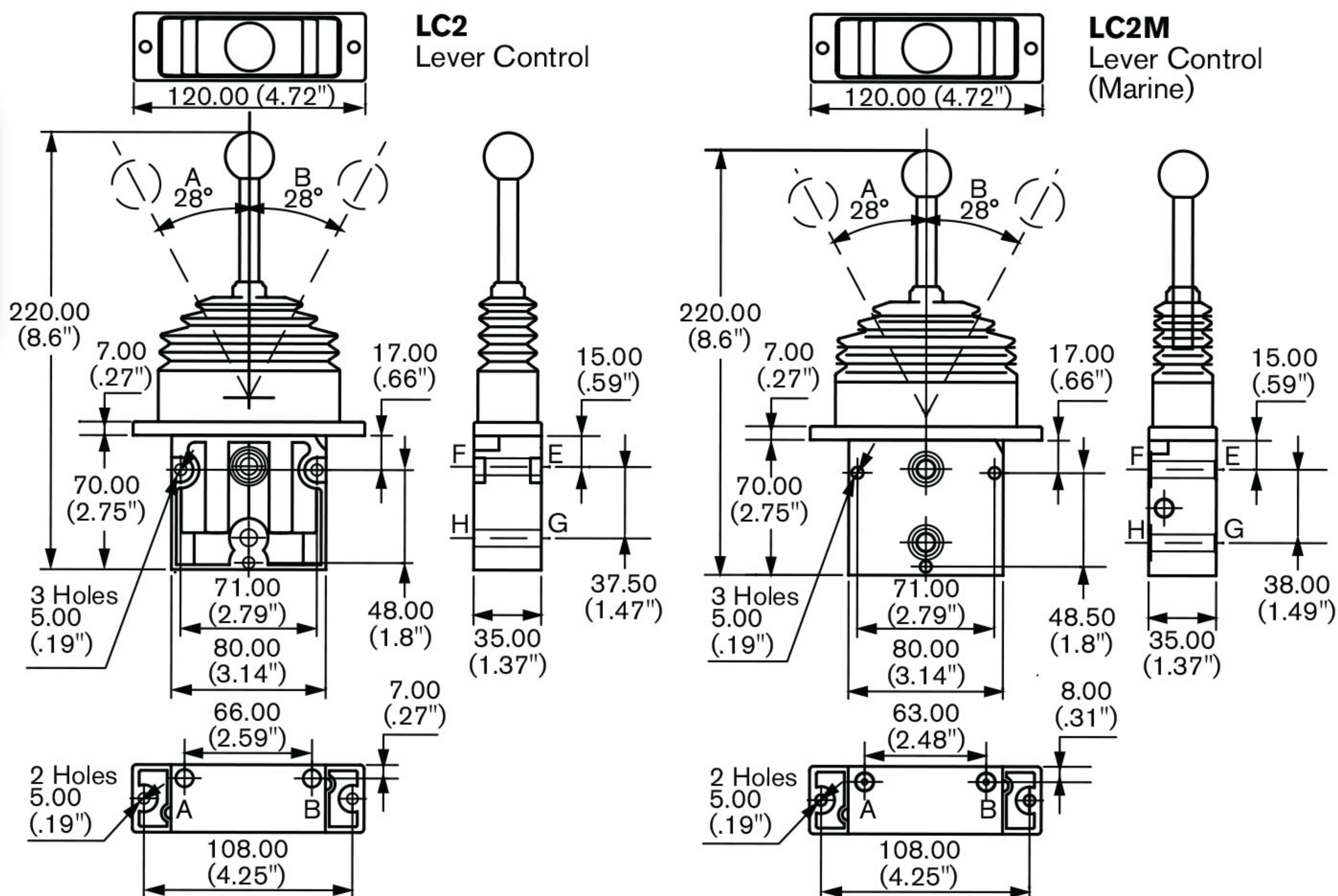
CIRCUIT SCHEMATIC FOR 1 SIGNAL OUTPUT PORT



All Connections
1/8" NPT Female

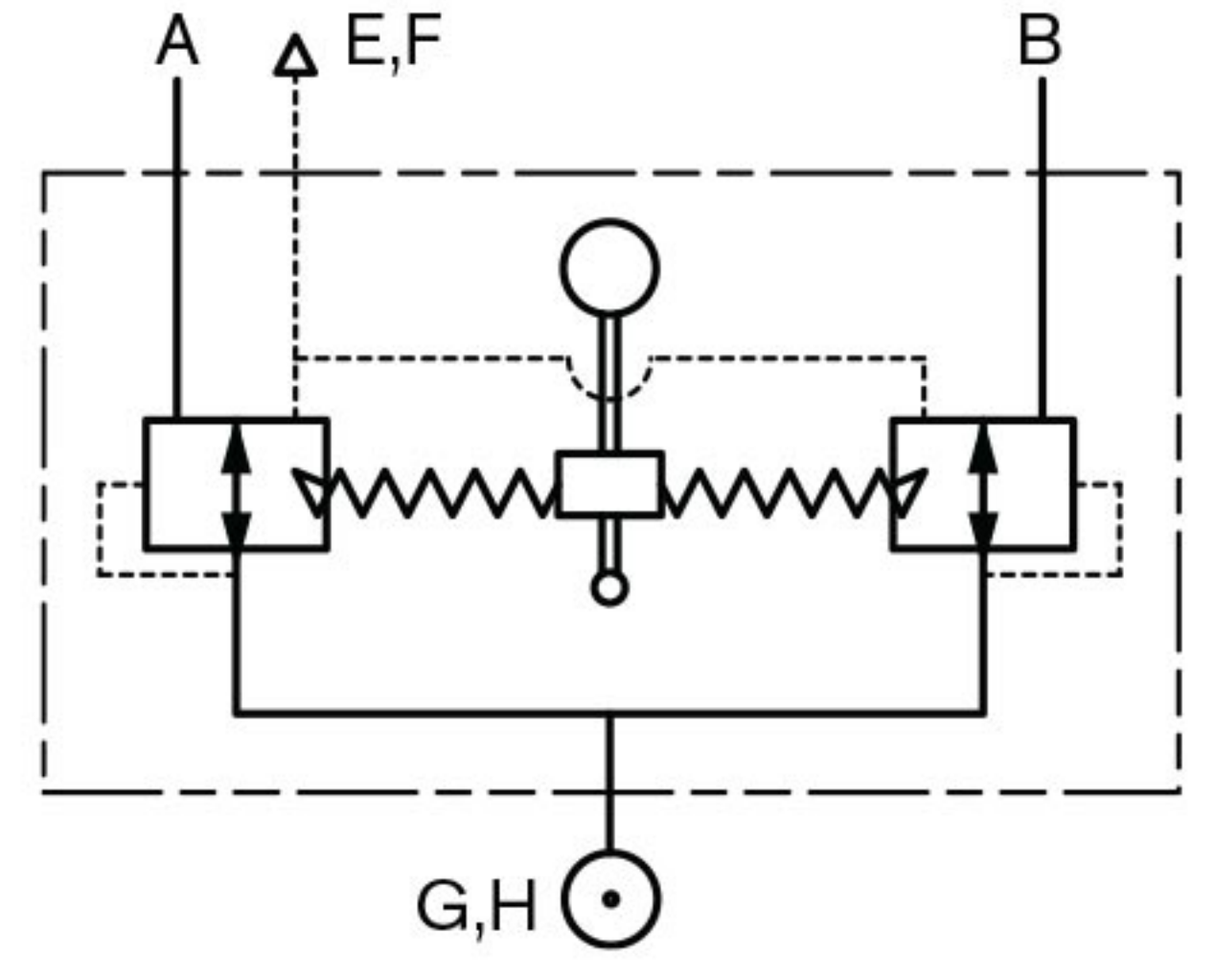


LEVER CONTROL (LC2) MARINE STYLE (LC2M)



	PC2L	PC4L	PC6L	PC4LS	PC6LS
kg	1.0	1.5	2.0	1.6	2.1
LBS.	2.3	3.3	4.3	3.5	4.7

CIRCUIT SYMBOL
LEVER CONTROL VALVE



NOTE:
H and G are alternative supply ports. A and B are outlet ports. Plug alternative ports not connected. E and F are exhaust ports. All ports are 1/8" (BSP).

