

## HS HYDRAULIC SPREADERS

- Often used to position and align heavy pipes and flanges for easier bolting.
- Conforms to ASME B30.1 standard.
- High strength alloy steel forged upper and lower jaws on HS2000.
- Jaws are spring-return; retract automatically when pressure is released.
- Uses a standard 3/8" high flow coupler

## HYDRAULIC SPREADERS

HS  
1-1/2 Short Tons  
700 bar/10,000 psi



**HS2000**  
(Forged Steel)



**HS3000**  
(High Grade Ductile Iron)

### Specifications and Dimensional Data

#### HS2000 SPECIFICATIONS

**Maximum Rated Capacity:** 0.91 metric tons @ 690 bar (1 short ton @ 10,000 psi)

**Maximum Spread:** 101 mm (4")

**Minimum Clearance Required:** 14.3 mm (9/16")

**Oil Required:** 10.3 mL (0.63 in<sup>3</sup>)

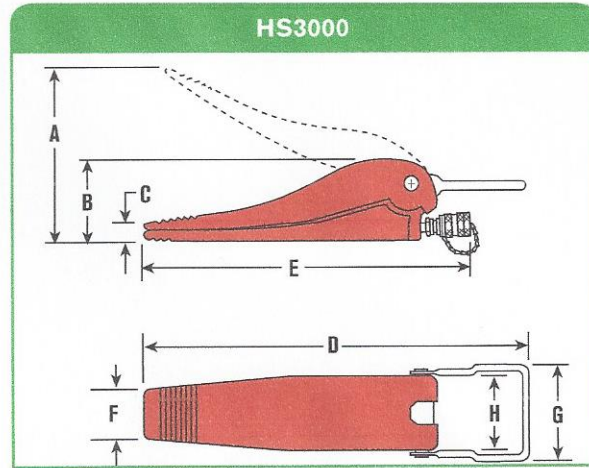
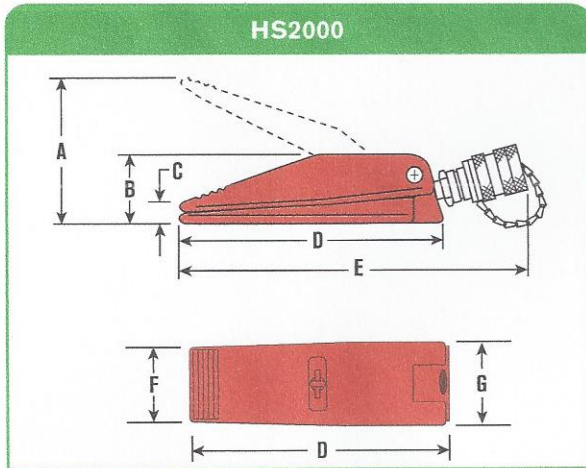
#### HS3000 SPECIFICATIONS

**Maximum Rated Capacity:** 1.36 metric tons @ 690 bar (1-1/2 short ton @ 10,000 psi)

**Maximum Spread:** 292 mm (11-1/2")

**Minimum Clearance Required:** 31.8 mm (1-1/4")

**Oil Required:** 57.4 mL (3.50 in<sup>3</sup>)



Order Number	Capacity	A	B	C	D	E	F	G	H	Oil Capacity mL (cu in)	Min. Clearance Required mm (in)	Wt kg (lb)
	metric ton (short ton)	mm (in)	mm (in)	mm (in)	mm (in)	mm (in)	mm (in)	mm (in)	mm (in)			
HS2000	0.91 (1)	101 (4)	50.8 (2)	14.3 (9/16)	176 (6-15/16)	236.5 (9-5/16)	50.8 (2)	57.1 (2-1/4)	-	10.3 (0.63)	14.3 (9/16)	2.2 (4.8)
HS3000	1.36 (1-1/2)	292 (11-1/2)	108 (4-1/4)	30.2 (1-3/16)	511 (20-1/8)	450.9 (17-3/4)	57.1 (2-1/4)	142.9 (5-5/8)	92 (3-5/8)	57.4 (3.5)	31.8 (1-1/4)	10 (22)

Value(s) shown in short tons (2,000 lb). To convert to long tons, multiply by 0.893. To convert to metric tons, multiply by 0.907