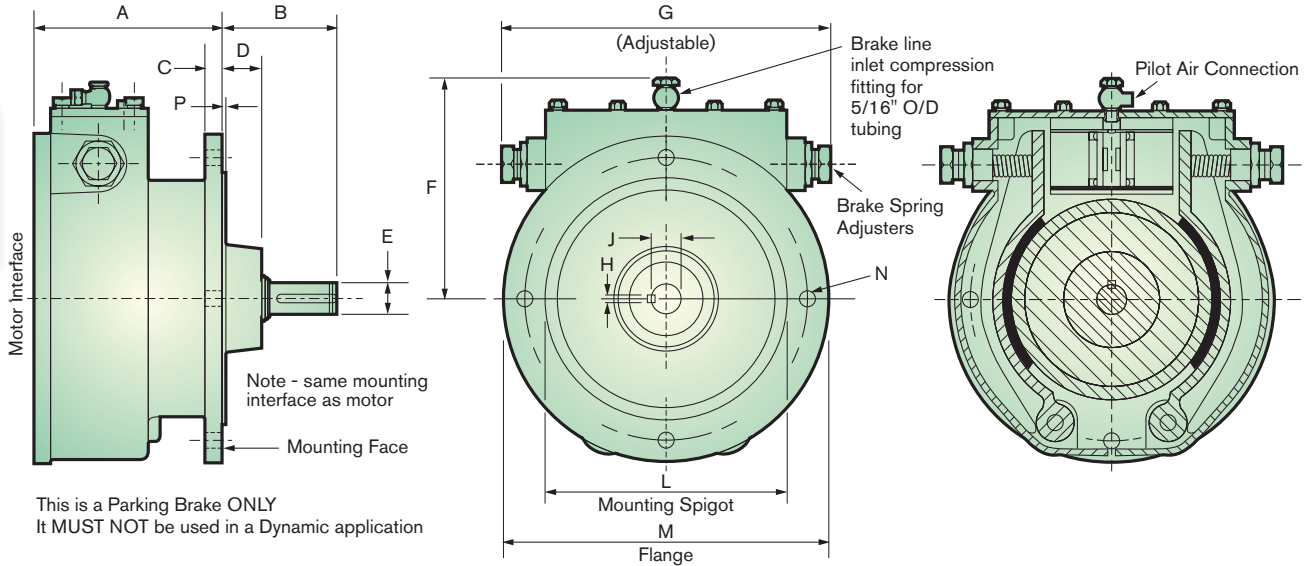


RM210 PARKING BRAKE INSTALLATION DETAILS

The brake module bolts directly onto the motor mounting face and has exactly the same interface as the motor. As shown on the drawing below, the brake consists of two spring applied shoes pressed against a central hub. These shoes are released by applying air pressure to the cylinder/piston assembly. The brake torque can be varied by means of two spring adjusters

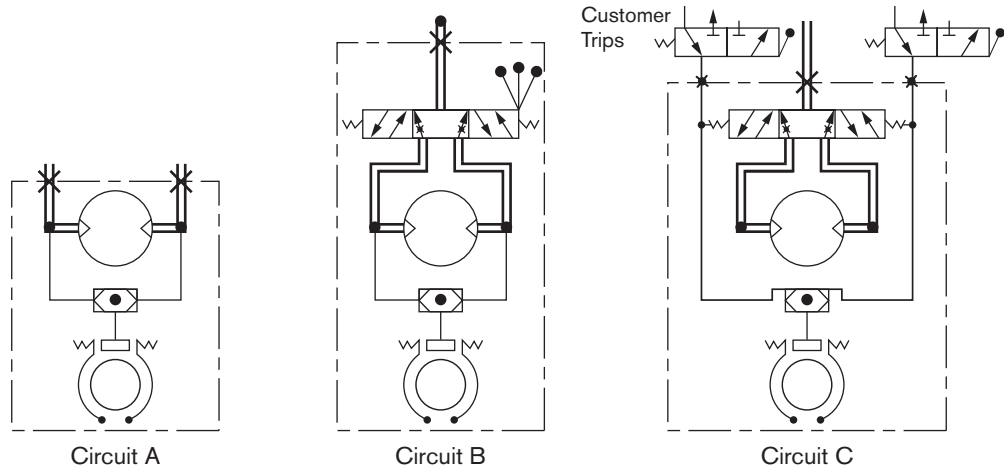
but it is normally set so that a pilot pressure of 4.1 bar / 60 psi will fully release it. Pressures below this level will progressively reduce the braking torque available. The brakes are set at the plant but it may be necessary to make adjustments on site to suit the individual application.

BRAKE VIEW



A	B	C	D	E	F	G	P	H	J	L	M	N-MOUNTING HOLES			
												NO.	Ø	P.C.D.	BOLT LENGTH (MAX)
114.3	93.9	10.9	45.7	18.9	129.5	236.2	4.0	5.9	21.1	179.9	254	101.6	13.9	215.9	725.8
4.5"	3.7"	0.43"	1.8"	0.7475"	5.1"	9.3"	0.16"	0.2355"	0.832"	7.0855"	10.0"	4"	0.55"	8.5"	28.575"

CIRCUITS



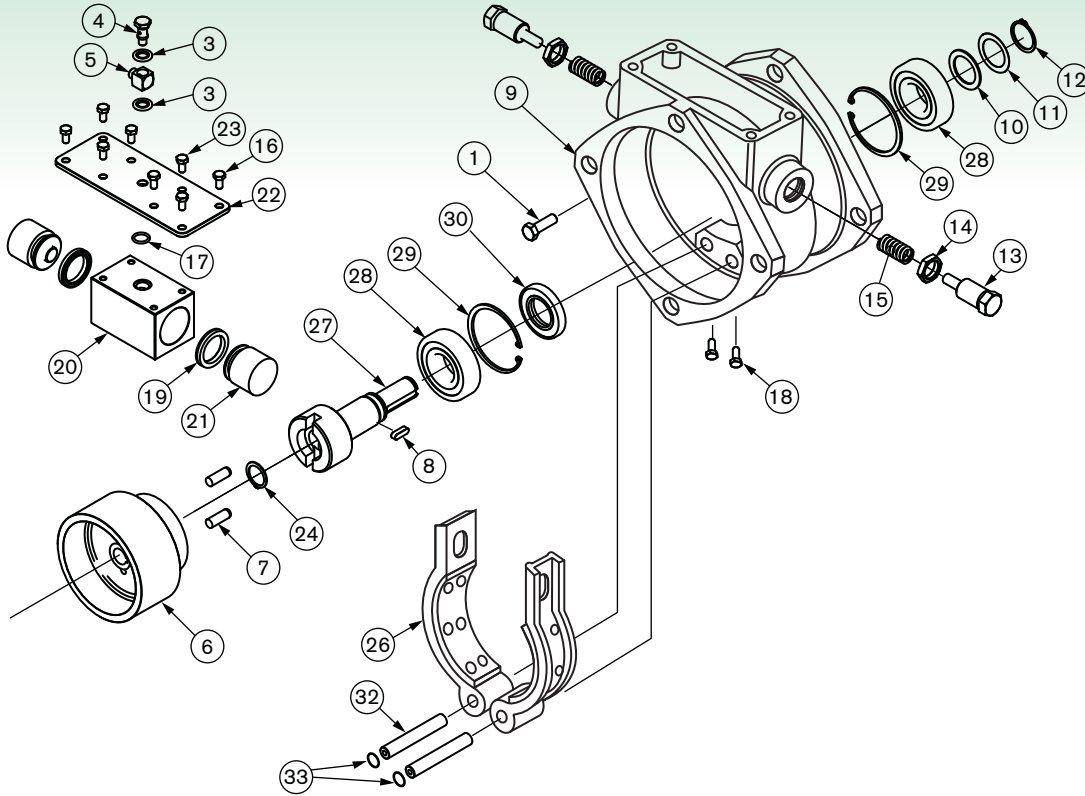
Circuit (A) - Applies to braked motors supplied without control valving. The unit will be fitted with a shuttle valve to allow brake operation for dual rotation.

Circuit (B) - Units supplied with hand (HCV) controlled reversible valves. If trips are required they must be of the mechanical style (customer's supply).

Circuit (C) - Units supplied with remotely controlled valves. When override trips are required, they must be superimposed in the signal line close to the motor unit and be of the 3 way style. (Signal lines cut and exhausted in the tripped position.)

RM210 PARKING BRAKE SPARE PARTS LIST & FOOT BRACKET

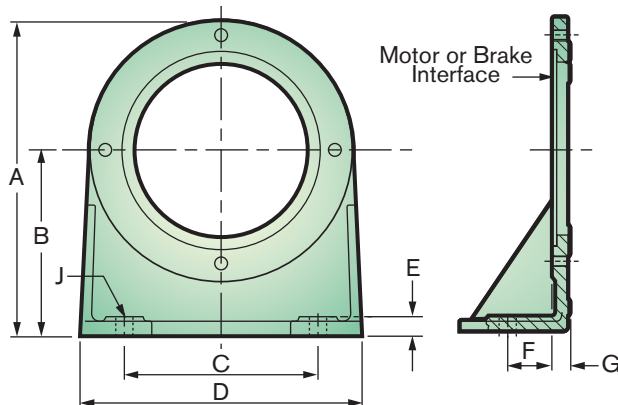
PARKING BRAKE SPARE PARTS LIST



ITEM	PART NO.	DESCRIPTION	QTY.
1	802-072	Set Screw M15 x 25	4
3	808-090	Bonded Seal 1/4" BSP Dowty	2
4	816-004	Banjo Bolt Only 1/8" BXP	1
5	816-005	Banjo Body C/W Nut & Pin 5/16"	1
6	212-001	Brake Wheel	1
7	806-001	Dowel Dia 10 x 30 Lg	2
8	811-001	Key 6 Sq. x 30mm (K124)	1
9	222-008	Brake Housing	1
10	300-049	Shim - Output	5
11	300-035	Output Shaft Spacer	1
12	804-009	Circlip 27mm External	1
13	102-009	Brake Spring Adjuster	2
14	102-024	1/2" BSP Hex Nut	2
15	814-001	Spring 223712	2
16	802-016	Hex Head Screw M6 x 16	4

ITEM	PART NO.	DESCRIPTION	QTY.
17	212-030	Piston Block O-Ring	1
18	802-025	Hex Head Screw M6 x 25	2
19	808-075	U Packing U110	2
20	212-014	Piston Block	1
21	202-011	Brake Piston	2
22	212-013	Block Support Plate	1
23	802-012	Hex Head Screw M6 x 12	2
24	804-006	Circlip 19mm External	1
26	212-901	Brake Shoe Assembly	2
27	212-005	Output Shaft	1
28	807-008	Ball Bearing	2
29	804-058	Circlip 62mm Internal	2
30	808-044	Oilseal 30x62x10/R4	1
32	212-003	Brake Shoe Pivot	2
33	804-002	Circlip 11mm External	2

FOOT BRACKET



A	B	C	D	E	F	G	H	J
309.8	179.7	190.5	279.4	20.3	41.9	19.0	—	2 x Ø 18.0
12.2"	7.077"	7.50"	11.0"	0.8"	1.65"	0.75"	—	2 x Ø 0.71"